

# SGH-D780

## Quick Start Guide



### SGH-D780

- Dual SIM mode
- Camera and camcorder
- Music player
- Java
- FM Radio
- Bluetooth



# Contents

---

<b>Features</b>	<b>02</b>
<b>Precautions</b>	<b>02</b>
<b>Phone Layout</b>	<b>03</b>
<b>Set &amp; Link</b>	<b>04</b>
<b>Basic Use</b>	<b>04</b>
<b>Unpack</b>	<b>05</b>
<b>Solving Problem</b>	<b>06</b>

# Features

## **DUAL SIM MODE**

- Take advantage of using two phone numbers without changing SIM cards manually or carrying two phones.

## **CAMERA AND CAMCORDER**

- Use the camera module on your phone to take a photo or record a video.

## **MUSIC PLAYER**

- Play music files using your phone as a music player. You can use other phone functions while listening to music.

## **JAVA**

- Enjoy Java-based embedded games and download new games.

## **FM RADIO**

- Listen to your favourite radio stations anytime, anywhere.

## **OFFLINE MODE**

- Switch your phone to Offline mode to use its non-wireless functions while on an aeroplane.

## **BLUETOOTH**

- Transfer media files and personal data, and connect to other devices using wireless Bluetooth technology.

## **WEB BROWSER**

- Access the wireless web to get up-to-the-minute information and a wide variety of media content.

## **SOS MESSAGE**

- Send SOS messages to your family or friends for help in an emergency.

# Precautions

**Failure to comply with the following precautions may be dangerous or illegal.**

## **DRIVE SAFELY AT ALL TIMES**

- Do not use a hand-held phone while driving. Park your vehicle first.

## **SWITCH OFF THE PHONE WHEN REFUELLING**

- Do not use the phone at a refuelling point (service station) or near fuels or chemicals.

## **SWITCH OFF IN AN AIRCRAFT**

- Wireless phones can cause interference. Using them in an aircraft is both illegal and dangerous.

## **SWITCH OFF THE PHONE NEAR ALL MEDICAL EQUIPMENT**

- Hospitals or health care facilities may be using equipment that could be sensitive to external radio frequency energy. Follow any regulations or rules in force.

## **INTERFERENCE**

- All wireless phones may be subject to interference, which could affect their performance.

# Precautions

## BE AWARE OF SPECIAL REGULATIONS

- Meet any special regulations in force in any area and always switch off your phone whenever it is forbidden to use it, or when it may cause interference or danger.


## WATER RESISTANCE

- Your phone is not water-resistant. Keep it dry.

## SENSIBLE USE

- Use only in the normal position (held to your ear).  
Avoid unnecessary contact with the antenna when the phone is switched on.

## EMERGENCY CALLS

- Key in the emergency number for your present location, then press .

## KEEP YOUR PHONE AWAY FROM SMALL CHILDREN

- Keep the phone and all its parts, including accessories, out of the reach of small children.

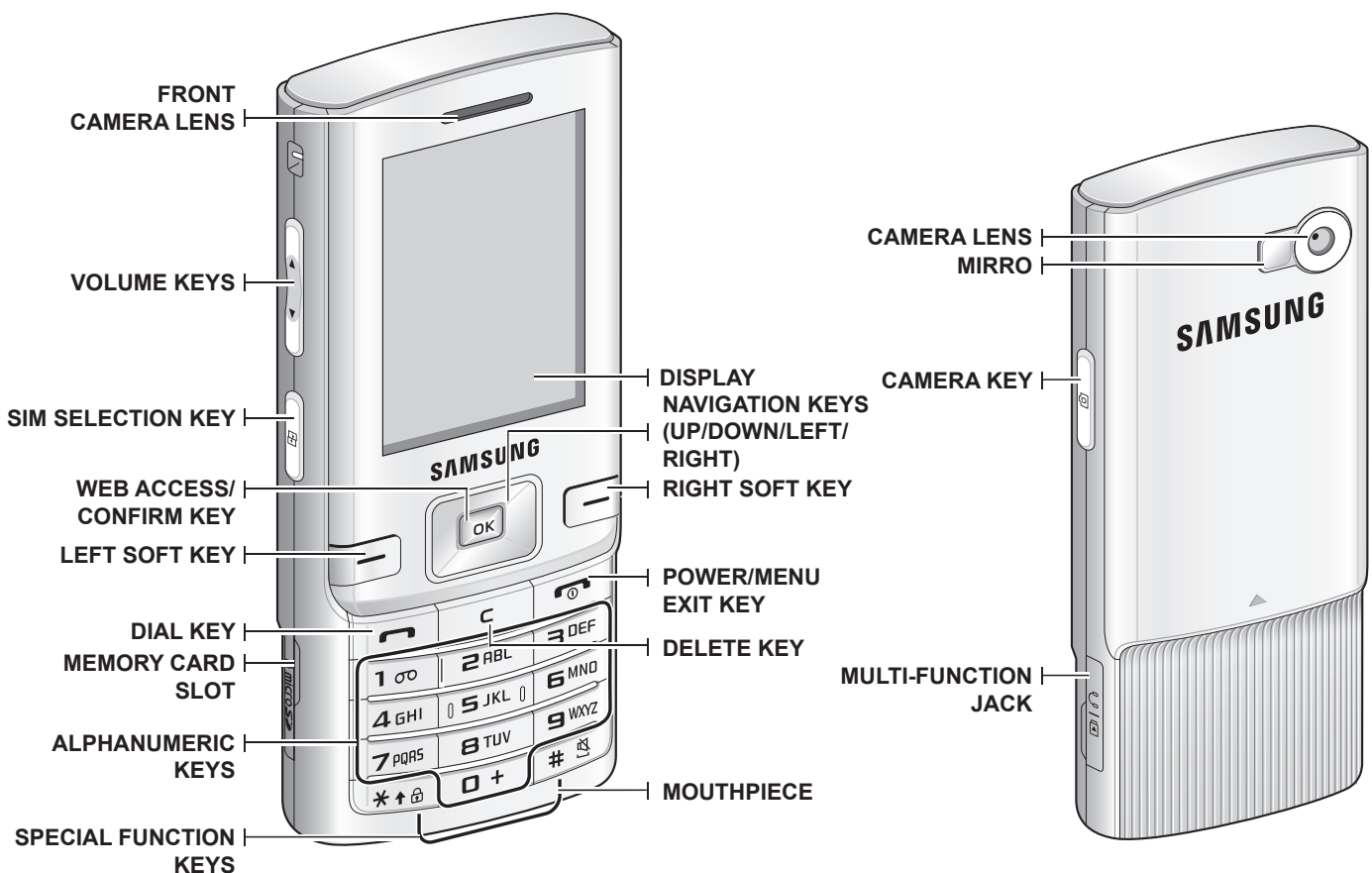
## ACCESSORIES AND BATTERIES

- Use only Samsung-approved batteries and accessories, such as headsets and PC data cables.  
Use of any unauthorised accessories could damage you or your phone and may be dangerous.

## QUALIFIED SERVICE

- Only qualified service personnel may repair your phone.

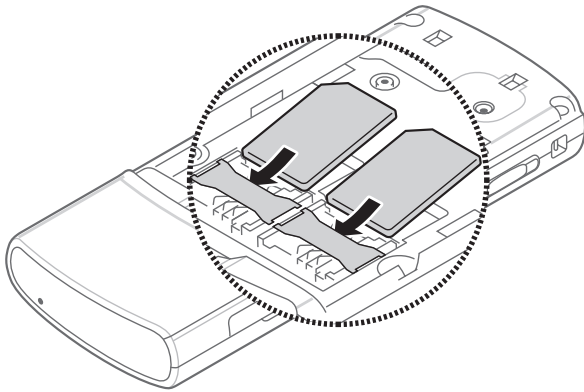
# Phone Layout



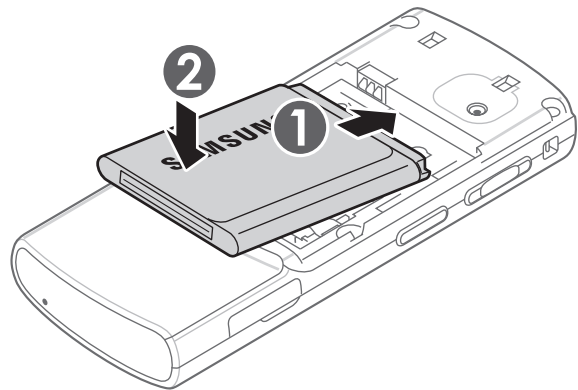
# Set & Link

The following illustrations show the main elements of your phone:

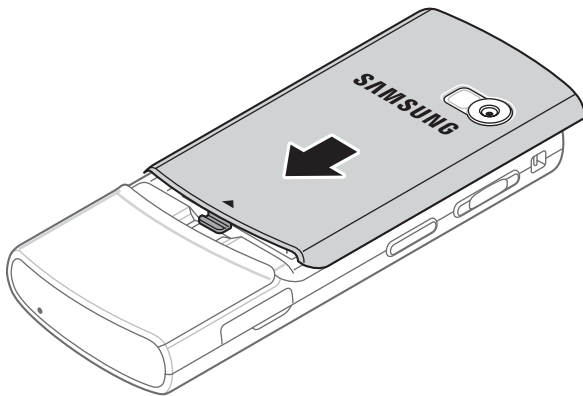
## INSERT THE SIM CARD.



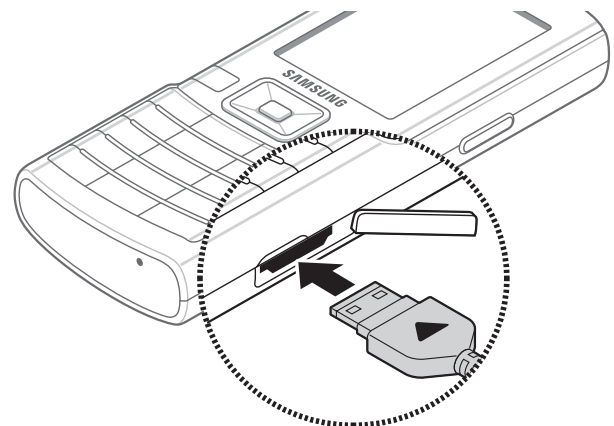
## INSERT THE BATTERY.



## REATTACH THE BATTERY COVER.



## PLUG THE TRAVEL ADAPTER INTO THE PHONE.



To AC power outlet

# Basic Use

## MAKE OR ANSWER CALLS

Begin with call functions, camera, music player, web browser and other special features

### Make a call

1. In Idle mode, enter an area code and phone number.  
If necessary, press [ ] to select a SIM card.
2. Press [ ]. Press [▲/▼] to adjust the volume.
3. Press [ ] to end the call.

### Answer a call

1. When the phone rings, press [ ].
2. Press [ ] to end the call.

## T9 mode

### To enter a word:

1. Press [2] to [9] to start entering a word.
2. Enter the whole word before editing or deleting characters.
3. When the word displays correctly, press [#] to insert a space. Otherwise, press [0] to display alternative word choices.

## ABC mode

### To enter a word:

Press the appropriate key until the character you want appears on the display.

# Unpack

Make sure you have each item

- Phone
- Travel adapter
- Battery
- User's Guide

You can obtain various accessories from your local Samsung dealer.

**Note:** The items supplied with your phone and the accessories available at your Samsung dealer may vary, depending on your country or service provider.

# Solving Problem

When you switch your phone on, the following messages may appear

## **“INSERT SIM”**

- Make sure that the SIM card is correctly installed

## **“PHONE LOCK”**

- The automatic locking function has been enabled.  
You must enter the phone's password before you can use the phone.

## **ENTER PUK**

- The PIN code was entered incorrectly three times in succession and the phone is now blocked.  
Enter the PUK supplied by your service provider.

## **ENTER PIN**

- You are using your phone for the first time.  
You must enter the Personal Identification Number (PIN) supplied with the SIM card.
- The PIN Check feature is enabled. Every time the phone is switched on, the PIN has to be entered. To disable this feature, use the PIN check menu.

## **“NO SERVICE,” “NETWORK FAILURE,” OR “NOT DONE” DISPLAYS**

- The network connection has been lost. You may be in a weak signal area. Move and try again.
- You are trying to access an option for which you have not taken out a subscription with your service provider. Contact the service provider for further details.

## **YOU HAVE ENTERED A NUMBER BUT IT WAS NOT DIALLED**

- Make sure that you have pressed SEND
- Make sure that you have accessed the right cellular network.
- Make sure that you have not set an outgoing call barring option.

## **A CALLER CANNOT REACH YOU**

- Make sure that your phone is switched on. (Press END for more than one second.)
- Make sure that you are accessing the correct cellular network.
- Make sure that you have not set an incoming call barring option.

# Solving Problem




## **YOUR VOICE IS NOT HEARD AT THE OTHER END**

- Make sure that you have switched on the microphone.
- Make sure that you are holding the phone close enough to your mouth.  
The microphone is located at the bottom of the phone.

## **THE PHONE STARTS BEEPING AND “BATTERY LOW” FLASHES ON THE DISPLAY**

- Your battery is insufficiently charged. Recharge the battery.

## **THE AUDIO QUALITY OF THE CALL IS POOR”**

- Check the signal strength indicator on the display (  ).  
The number of bars indicates the signal strength from strong (  ) to weak (  ).
- Try moving the phone slightly or moving closer to a window if you are in a building.

## **NO NUMBER IS DIALLED WHEN YOU RE-CALL A ADDRESS ENTRY**

- Use the Phonebook feature to ensure the number has been stored correctly.
- Store the number again, if necessary.

## **THE BATTERY DOESN'T CHARGE PROPERLY OR THE PHONE SOMETIMES TURNS ITSELF OFF**

- Wipe the charging contacts both on the phone and on the battery with a clean soft cloth.

## **IF THE ABOVE GUIDELINES DO NOT HELP YOU TO SOLVE THE PROBLEM, TAKE NOTE OF**

- The model and serial numbers of your phone
- Your warranty details
- A clear description of the problem